

Design Features

- Dry pump cavity
- Self-priming operation
- Runs dry without damage
- Complete isolation of fluid pumped
- Heavy-duty roller bearings
- Variety of pump configurations, flows, and pressure ratings
- No seals, cups or packing to leak or wear
- Reversible flow
- Low maintenance

Materials of Construction

Non-wetted Parts

Casing: Aluminum Alloy

Rotor: Aluminum Alloy

Rollers: Plastic/Alloy

Wetted Parts

Hose:

EXTRUDED – Neoprene, Hypalon, Varprene, PharMed®

BRAIDED – Natural Rubber, EPDM

Inlet/Outlet Connections:

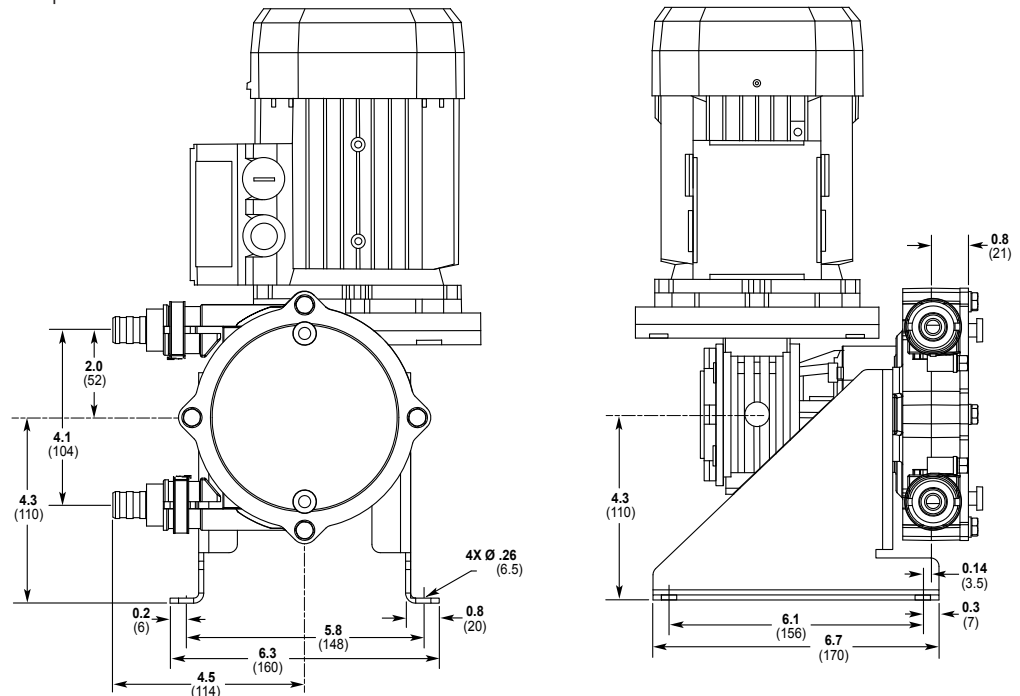
PTFE, Brass or Stainless Steel Hose Barb, Brass NPT, and
Stainless Steel Sanitary Tri-clamp



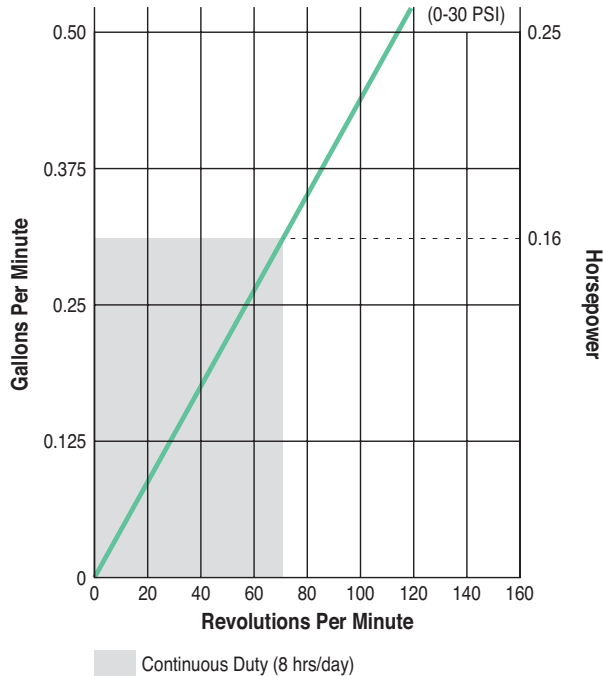
Dimensional Drawings

Inches (mm)

See Ordering Information for motor
and gearbox sizes



Performance



Fluid Characteristics

Viscosity:	15,000 cps max.
Liquid Temperature:	180°F (82°C) max.
Solid Size:	(see page 4)
Fiber Length:	1/4 inch (6.3 mm) max.

Specifications

Discharge Pressure:	30 psig (2 bar) max.
Suction Lift:	7 ft (2.1 m)
Suction Pressure:	15 psig (1 bar) max.
Horsepower:*	1/4 max.
Hose Size:	9 x 16 x 330 mm
Displacement:	0.0044 gal/rev
Weight (pump only):	6.5 lbs (3 kg)
Weight (with drive):	15.2 lbs (7 kg)

* Pumps are shaft driven and require a gearbox and motor. See Ordering Information for details.

Model 2002 Ordering Information

A complete Vector pump order number uses a 9-character order code to identify the desired hose, fittings and drive. Select the appropriate items from the chart below and use the order code from each group to complete the pump assembly order number.

1	2	3	4	5	6	7	8	9	10
2	0	0	2						

Order Digit	Order Code	Description		
1-4	2002	Pump Designation Model 2002 Shaft Drive Pump		
5-6		Hose Material/Type		
	FE	PharMed®, extruded ⁽¹⁾		
	HE	Hypalon, extruded		
	NF	Natural Rubber, fiber-braided		
	EF	EPDM, fiber-braided		
	PE	Neoprene, extruded		
	VE	Varprene, extruded		
7-8		Connector Material/Style		
	AA	PTFE, 1/2" hose barb		
	CC	316 SST, Sanitary, 3/4" tri-clamp		
	FF	Brass, 3/8" hose barb		
	GG	Brass, 3/8" male NPT		
	SS	316 SST, 3/8" hose barb		
	TT	316 SST, 3/8" male NPT		
9-10		Drive		
		Flow GPM		
		Gear Ratio		
		Pump RPM		
		Max Psig		
		1Ø, 1/4 BHP TEFC, 115-230 VAC, 60 Hz		
B2	0.10	70:1	24	30
D2	0.12	60:1	28	30
F2	0.19	40:1	43	30
H2	0.25	30:1	57	20
J2	0.30	20:1	86	17
		3Ø, 1/4 BHP TEFC, 230-460 VAC, 60 Hz		
		3:1 Constant Torque Speed Range		
L2	0.10	70:1	24	30
N2	0.12	60:1	28	30
P2	0.19	40:1	43	30
R2	0.25	30:1	57	20
V2	0.30	20:1	86	17
A		No Drive		

¹ Meets FDA and NSP for food handling. Maximum pressure: 13.5 psig.