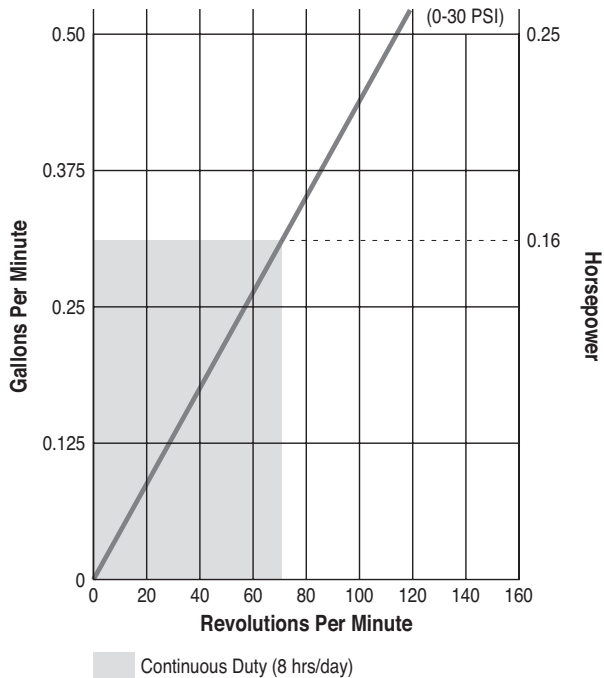


MODEL 2002 PUMP DATA

Performance



Fluid Characteristics

Viscosity:	15,000 cps max.
Liquid Temperature:	180°F (82°C) max.
Solid Size:	(see page 4)
Fiber Length:	1/4 inch (6.3 mm) max.

Specifications

Discharge Pressure:	30 psig (2 bar) max.
Suction Lift:	7 ft (2.1 m)
Suction Pressure:	15 psig (1 bar) max.
Horsepower*:	1/4 max.
Hose Size:	9 x 16 x 330 mm
Displacement:	0.0044 gal/rev
Weight (pump only):	6.5 lbs (3 kg)
Weight (with drive):	15.2 lbs (7 kg)

* Pumps are shaft driven and require a gearbox and motor.
See Ordering Information on following page for details.



Materials of Construction

Non-wetted Parts

Casing: Aluminum Alloy
Rotor: Aluminum Alloy
Rollers: Plastic/Alloy

Wetted Parts

Hose:

EXTRUDED – Neoprene, Hypalon, Varpren, PharMed®
BRAIDED – Natural Rubber, EPDM

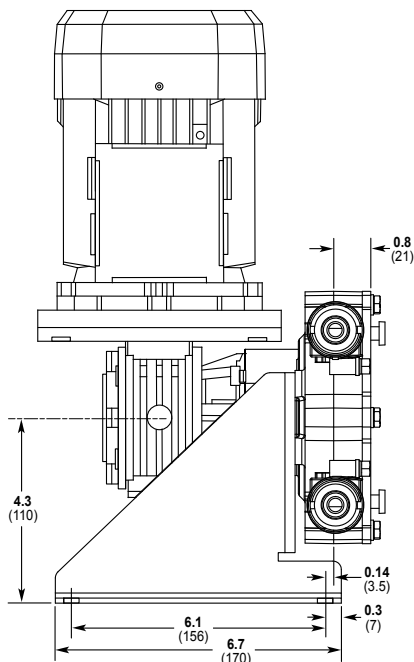
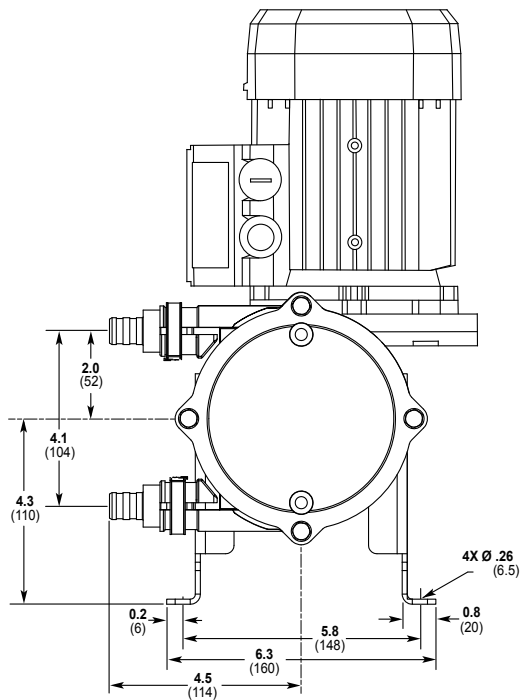
Inlet/Outlet Connections:

PTFE, Brass or Stainless Steel Hose Barb, Brass NPT, and
Stainless Steel Sanitary Tri-clamp

Dimensional Drawings

Inches (mm)

See Ordering Information for motor and gearbox sizes.



Model 2002 Ordering Information

A complete Vector pump order number uses a 10-character order code to identify the desired hose, fittings and drive. Select the appropriate items from the chart below and use the order code from each group to complete the pump assembly order number.

1	2	3	4	5	6	7	8	9	10
2	0	0	2						

Order Digit	Order Code	Description
-------------	------------	-------------

1-4	Pump Designation
2002	Model 2002 Shaft Drive Pump

5-6	Hose Material/Type
FE	PharMed [®] , extruded ⁽¹⁾
HE	Hypalon, extruded
NF	Natural Rubber, fiber-braided
EF	EPDM, fiber-braided
PE	Neoprene, extruded
VE	Varprene, extruded

7-8	Connector Material/Style
AA	PTFE, 1/2" hose barb
CC	316 SST, Sanitary, 3/4" tri-clamp
FF	Brass, 3/8" hose barb
GG	Brass, 3/8" male NPT
SS	316 SST, 3/8" hose barb
TT	316 SST, 3/8" male NPT

9-10	Drive			
	Flow GPM	Gear Ratio	Pump RPM	Max Psig
	1Ø, 1/4 BHP TEFC, 115-230 VAC, 60 Hz			
B2	0.10	70:1	24	30
D2	0.12	60:1	28	30
F2	0.19	40:1	43	30
H2	0.25	30:1	57	20
J2	0.30	20:1	86	17
	3Ø, 1/4 BHP TEFC, 230-460 VAC, 60 Hz			
	3:1 Constant Torque Speed Range			
L2	0.10	70:1	24	30
N2	0.12	60:1	28	30
P2	0.19	40:1	43	30
R2	0.25	30:1	57	20
V2	0.30	20:1	86	17
A	No Drive			

¹ Meets FDA and NSP for food handling. Maximum pressure: 13.5 psig.