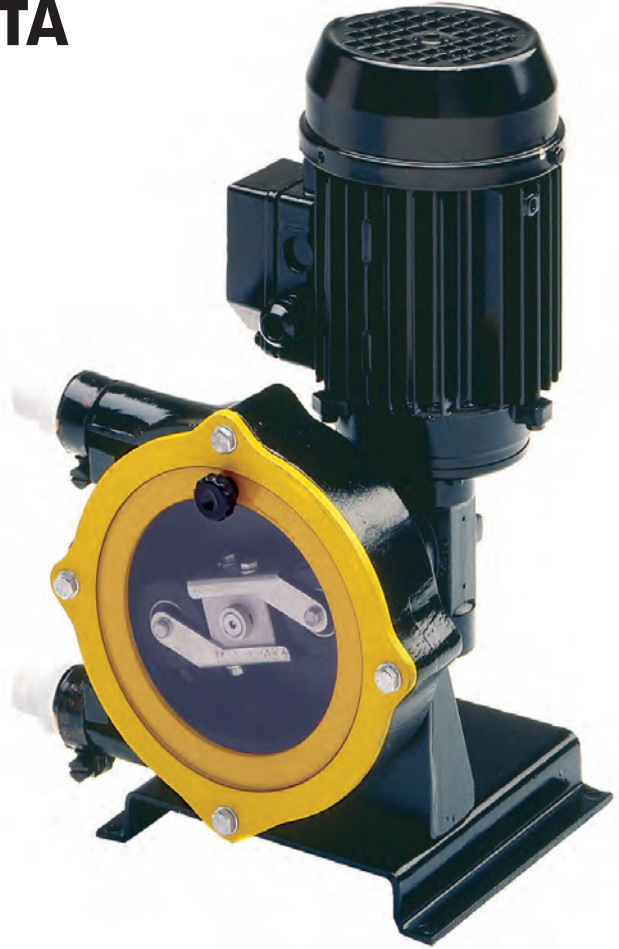
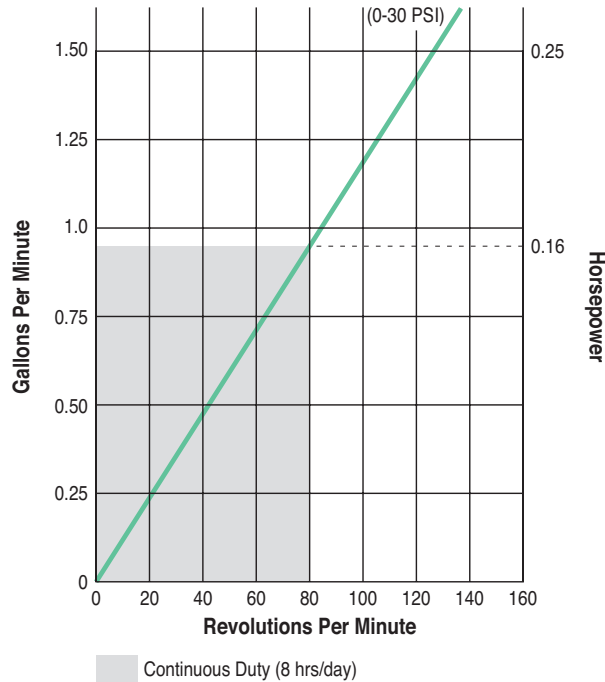


MODEL 2003 PUMP DATA

Performance



Fluid Characteristics

Viscosity:	15,000 cps max.
Liquid Temperature:	180°F (82°C) max.
Solid Size:	(see page 4)
Fiber Length:	7/16 inch (11 mm) max.

Specifications

Discharge Pressure:	30 psig (2 bar) max.
Suction Lift:	10 ft. (3 m)
Suction Pressure:	15 psig (1 bar) max.
Horsepower*:	1/4 max.
Hose Size:	13 x 22 x 390 mm
Displacement:	0.011 gal/rev
Weight (pump only):	10 lbs. (4.5 kg)
Weight (with drive):	19.8 lbs. (9 kg)

* Pumps are shaft driven and require a gearbox and motor.
See Ordering Information on following page for details.

Materials of Construction

Non-wetted Parts

Casing: Aluminum Alloy
Rotor: Aluminum Alloy
Rollers: Plastic/Alloy

Wetted Parts

Hose:

EXTRUDED – Hypalon, Varpene, Silicone, PharMed®
BRAIDED – Natural Rubber, EPDM

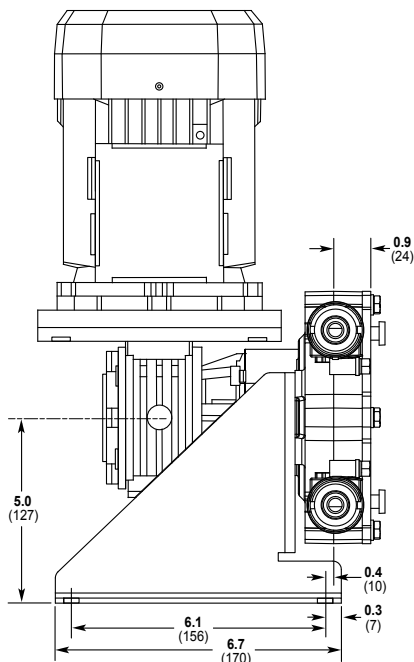
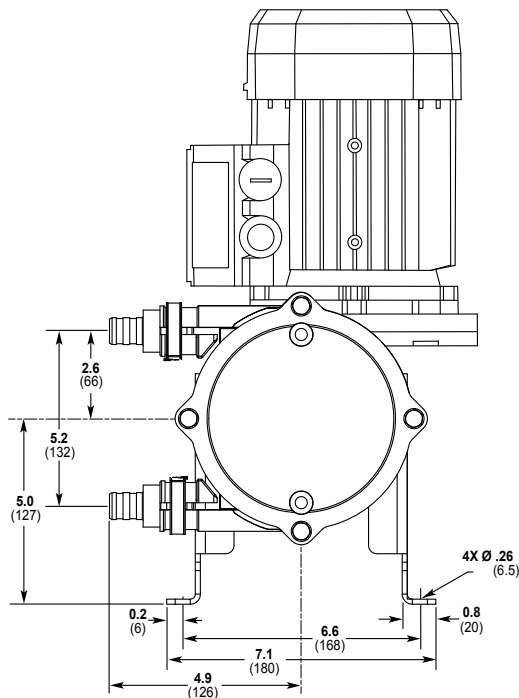
Inlet/Outlet Connections:

PTFE, Brass or Stainless Steel Hose Barb, Brass NPT, and
Stainless Steel Sanitary Tri-clamp

Dimensional Drawings

Inches (mm)

See Ordering Information for motor and gearbox sizes.



Model 2003 Ordering Information

A complete Vector pump order number uses a 10-character order code to identify the desired hose, fittings and drive. Select the appropriate items from the chart below and use the order code from each group to complete the pump assembly order number.

1	2	3	4	5	6	7	8	9	10
2	0	0	3	-		-		-	

Order Digit	Order Code	Description			
1-4	2003	Pump Designation Model 2003 Shaft Drive Pump			
5-6		Hose Material/Type			
	FE	PharMed®, extruded ⁽¹⁾			
	HE	Hypalon, extruded			
	NF	Natural Rubber, fiber-braided			
	EF	EPDM, fiber-braided			
	SE	Silicone, extruded			
	VE	Varprene, extruded			
7-8		Connector Material/Style			
	AA	PTFE, 3/4" hose barb			
	CC	316 SST, Sanitary, 3/4" tri-clamp			
	FF	Brass, 1/2" hose barb			
	GG	Brass, 1/2" male NPT			
	SS	316 SST, 1/2" hose barb			
	TT	316 SST, 3/4" male NPT			
9-10		Drive			
		Flow GPM			
		Gear Ratio			
		Pump RPM			
		Max Psig			
		1Ø, 1/4 BHP TEFC, 115-230 VAC, 60 Hz			
	B2	0.26	70:1	24	30
	D2	0.31	60:1	28	30
	F2	0.47	40:1	43	30
	H2	0.62	30:1	57	20
	J2	0.94	20:1	86	17
		3Ø, 1/4 BHP TEFC, 230-460 VAC, 60 Hz			
		3:1 Constant Torque Speed Range			
	L2	0.26	70:1	24	30
	N2	0.31	60:1	28	30
	P2	0.47	40:1	43	30
	R2	0.62	30:1	57	20
	V2	0.94	20:1	86	17
	A	No Drive			

¹ Meets FDA and NSP for food handling. Maximum pressure: 13.5 psig.