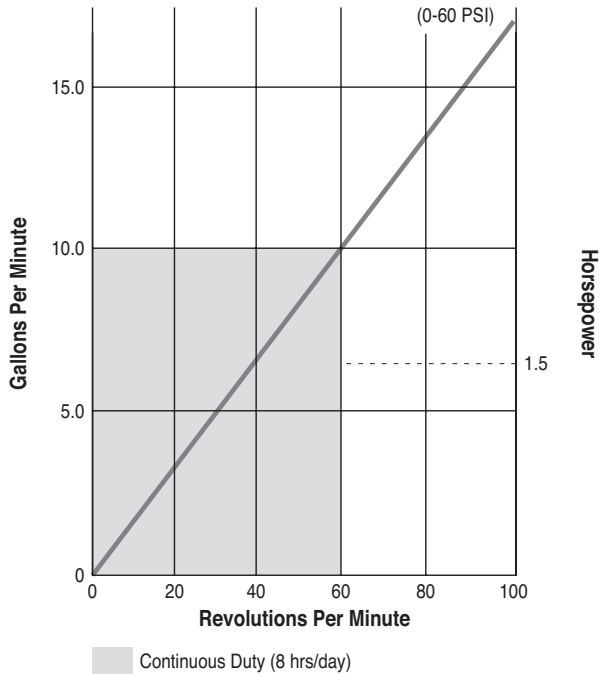


## MODEL 2006 PUMP DATA

### Performance



### Fluid Characteristics

Viscosity:	15,000 cps max.
Liquid Temperature:	180°F (82°C) max.
Solid Size:	(see page 4)
Fiber Length:	1-7/8 inch (47.6 mm) max.

### Specifications

Discharge Pressure:	60 psig (4.1 bar) max.
Suction Lift:	24 ft. (7.3 m)
Suction Pressure:	25 psig (1.7 bar) max.
Horsepower:*	2 max.
Hose Size:	30 x 55 x 1150 mm
Displacement:	0.182 gal/rev
Weight (pump only):	95 lbs. (43 kg)
Weight (with drive):	171 lbs. (78 kg)

\* Pumps are shaft driven and require a gearbox and motor. See Ordering Information on following page for details.

### Materials of Construction

#### Non-wetted Parts

Casing: Aluminum Alloy  
 Rotor: Aluminum Alloy  
 Rollers: Aluminum Alloy

#### Wetted Parts

Hose:  
 EXTRUDED – Neoprene, Varpene, Silicone  
 BRAIDED – EPDM, Hypalon, Nitrile Rubber, Natural Rubber (regular and heavy-duty)

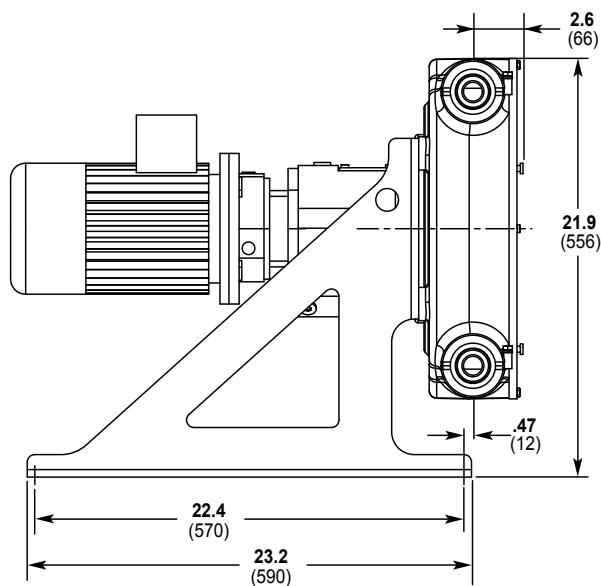
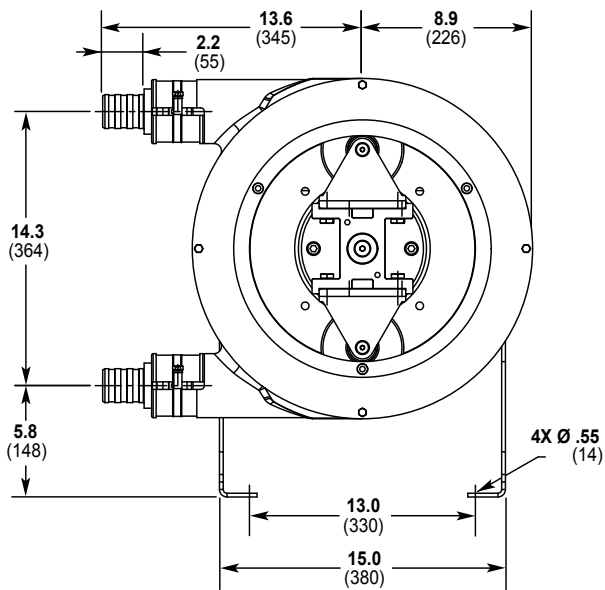
#### Inlet/Outlet Connections:

PTFE or Stainless Steel Hose Barb, Stainless Steel or Carbon Steel ANSI Flange, PTFE NPT, and Stainless Steel Sanitary Tri-clamp

## Dimensional Drawings

Inches (mm)

See Ordering Information for motor and gearbox sizes.



## Model 2006 Ordering Information

A complete Vector pump order number uses a 10-character order code to identify the desired hose, fittings and drive. Select the appropriate items from the chart below and use the order code from each group to complete the pump assembly order number.

<b>1</b>	<b>2</b>	<b>3</b>	<b>4</b>	<b>5</b>	<b>6</b>	<b>7</b>	<b>8</b>	<b>9</b>	<b>10</b>
2	0	0	6						

Order Digit	Order Code	Description		
<b>1-4 Pump Designation</b>				
2006	2006	Model 2006 Shaft Drive Pump		
<b>5-6 Hose Material/Type</b>				
	EF	EPDM, fiber-braided		
	HF	Hypalon, fiber-braided		
	MF	Natural Rubber, fiber-braided, heavy-duty (60 psig max.)		
	NF	Natural Rubber, fiber-braided		
	PE	Neoprene, extruded (30 psig max.)		
	SE	Silicone, extruded (30 psig max.)		
	OF	Nitrile, Oil-rated, fiber-braided, heavy-duty (60 psig max.)		
	VE	Varprene, extruded (30 psig max.)		
<b>7-8 Connector Material/Style</b>				
	AA	PTFE, 1-1/4" hose barb		
	BB	316 SST, 1-1/4" ANSI flange		
	CC	316 SST, Sanitary, 1-1/2" tri-clamp		
	DD	Carbon Steel, 1-1/4" ANSI flange		
	EE	Carbon Steel, 1-1/2" male NPT		
	HH	PTFE, 1-1/4" male NPT		
	TT	SST 1-1/2" NPT		
	SS	316 SST, 1-1/4" hose barb		
<b>9-10 Drive</b>				
	<b>Flow GPM</b>	<b>Gear Ratio</b>	<b>Pump RPM</b>	<b>Max Psig</b>
<b>3Ø, 1 BHP TEFC, 230-460 VAC, 60 Hz</b>				
<b>4:1 Constant Torque Speed Range</b>				
B2	3.5	90:1	19	45(60) <sup>1</sup>
<b>3Ø, 1-1/2 BHP TEFC, 230-460 VAC, 60 Hz</b>				
<b>4:1 Constant Torque Speed Range</b>				
D2	4.8	65:1	27	45(60) <sup>1</sup>
F2	7.2	43:1	40	45(60) <sup>1</sup>
<b>3Ø, 2 BHP TEFC, 230-460 VAC, 60 Hz</b>				
<b>4:1 Constant Torque Speed Range</b>				
H2	10.3	30:1	57	35(45) <sup>1</sup>
J2	14.1	22:1	78	35(45) <sup>1</sup>
A	No Drive			

<sup>1</sup>( ) Heavy-duty, fiber-braided hose