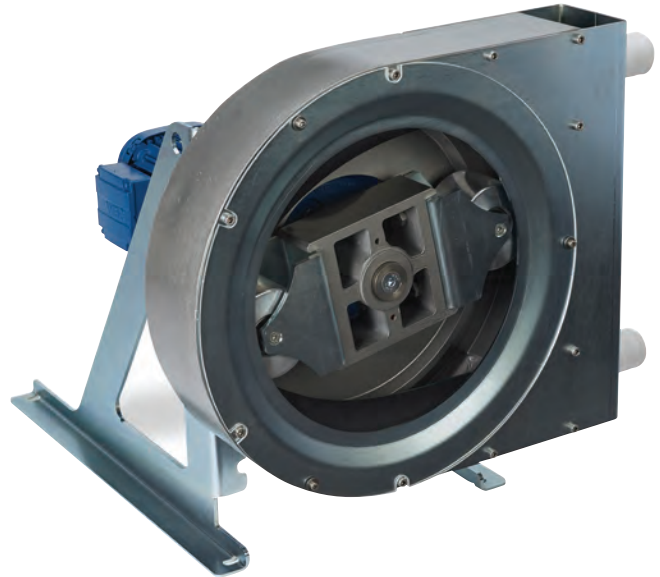
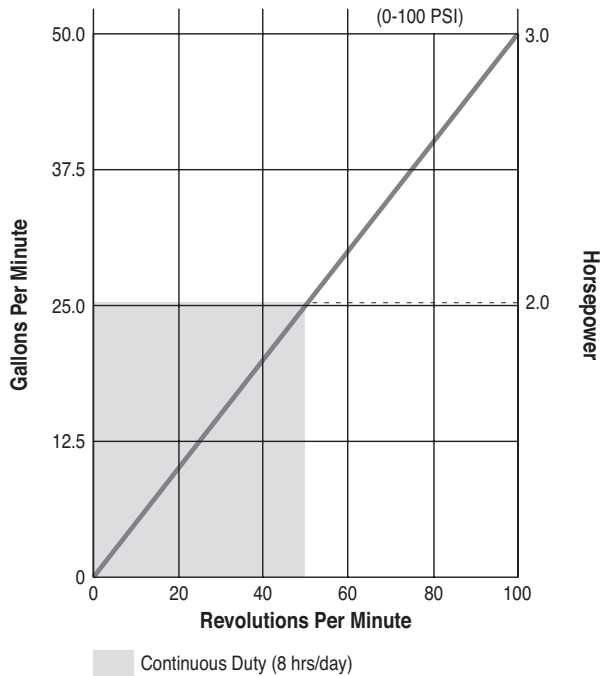


MODEL 2007 PUMP DATA

Performance



Fluid Characteristics

Viscosity:	15,000 cps max.
Liquid Temperature:	180°F (82°C) max.
Solid Size:	(see page 4)
Fiber Length:	2-3/8 inch (60 mm) max.

Specifications

Discharge Pressure:	100 psig (7 bar) max.
Suction Lift:	24 ft. (7.3 m)
Suction Pressure:	25 psig (1.7 bar) max.
Horsepower:*	3 max.
Hose Size:	45 x 75 x 1455 mm
Displacement:	0.51 gal/rev
Weight (pump only):	185 lbs. (84 kg)
Weight (with drive):	275 lbs. (125 kg)

* Pumps are shaft driven and require a gearbox and motor.
See Ordering Information on following page for details.

Materials of Construction

Non-wetted Parts

Casing: Aluminum Alloy
Rotor: Aluminum Alloy
Rollers: Aluminum Alloy

Wetted Parts

Hose:
EXTRUDED – Varprene
BRAIDED – EPDM, Hypalon, Nitrile Rubber, Natural Rubber
(regular and heavy-duty)

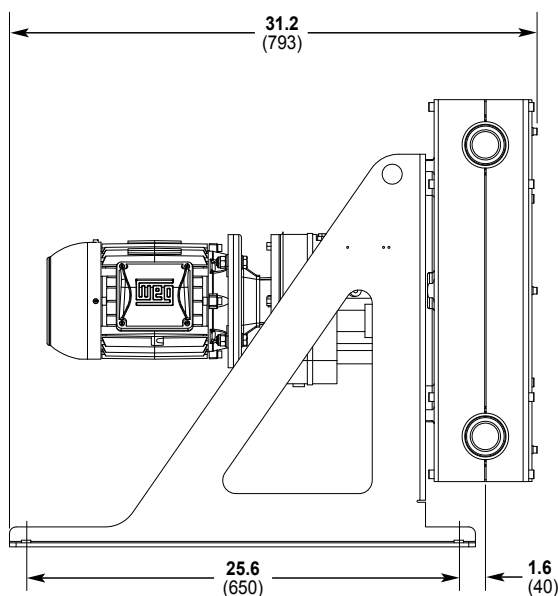
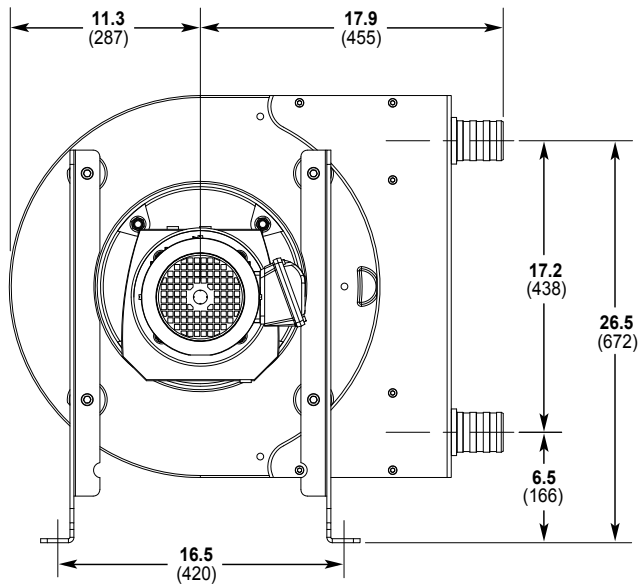
Inlet/Outlet Connections:

PTFE or Stainless Steel Hose Barb, Stainless Steel or Carbon Steel ANSI Flange, PTFE NPT, and Stainless Steel Sanitary Tri-clamp

Dimensional Drawings

Inches (mm)

See Ordering Information for motor and gearbox sizes.



Model 2007 Ordering Information

A complete Vector pump order number uses a 10-character order code to identify the desired hose, fittings and drive. Select the appropriate items from the chart below and use the order code from each group to complete the pump assembly order number.

1	2	3	4	5	6	7	8	9	10
2	0	0	7						

Order Digit	Order Code	Description	
1-4	2007	Pump Designation Model 2007 Shaft Drive Pump	
5-6		Hose Material/Type	
	EF	EPDM, fiber-braided	
	HF	Hypalon, fiber-braided	
	MF	Natural Rubber, fiber-braided, heavy-duty (100 psig max.)	
	NF	Natural Rubber, fiber-braided	
	OF	Nitrile, Oil-rated, fiber-braided, heavy-duty (100 psig max.)	
	VE	Varprene, extruded (30 psig max.)	
7-8		Connector Material/Style	
	AA	PTFE, 2" hose barb (60 psig max.)	
	BB	316 SST, 2" ANSI flange	
	CC	316 SST, Sanitary, 2" tri-clamp	
	DD	Carbon Steel, 2" ANSI flange	
	EE	Carbon Steel, 2" male NPT	
	HH	PTFE, 2" male NPT (60 psig max.)	
	SS	316 SST, 2.5" hose barb	
9-10		Drive	
		Flow GPM	
		Gear Ratio	
		Pump RPM	
		Max Psig	
		3Ø, 1-1/2 BHP TEFC, 230-460 VAC, 60 Hz	
		4:1 Constant Torque Speed Range	
	B2	7.1	121:1
	D2	10.5	82:1
		3Ø, 2 BHP TEFC, 230-460 VAC, 60 Hz	
		4:1 Constant Torque Speed Range	
	F2	15.3	58:1
	H2	20.4	43:1
	J2	25.8	33:1
		3Ø, 3 BHP TEFC, 230-460 VAC, 60 Hz	
		3:1 Constant Torque Speed Range	
	L2	40.5	21:1
	A	No Drive	

¹() Heavy-duty, fiber-braided hose