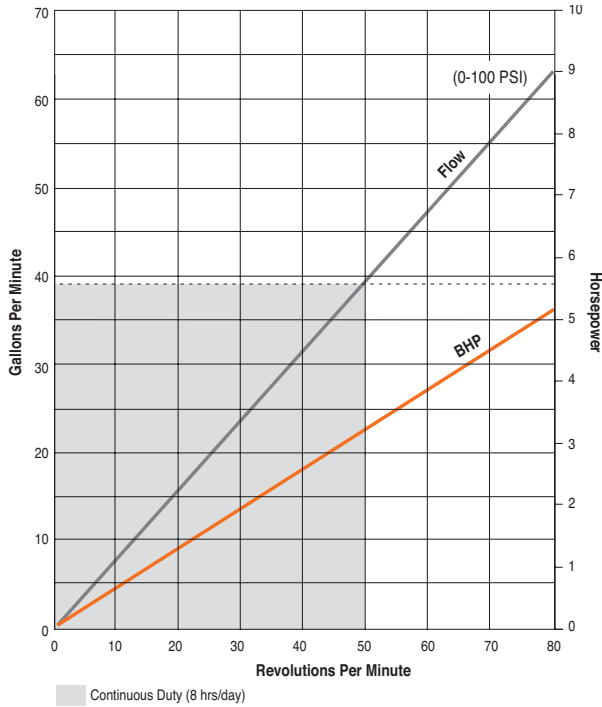


MODEL 2008 PUMP DATA

Performance



Fluid Characteristics

Viscosity:	100,000 cps max.
Liquid Temperature:	180°F (82°C) max.
Solid Size:	(see page 4)
Fiber Length:	36 inch (914 mm) max.

Specifications

Discharge Pressure:	100 psig (7 bar) max.
Suction Lift:	24 ft. (7.3 m)
Suction Pressure:	21 psig (1.4 bar) max.
Horsepower:*	12 max.
Hose Size:	55 x 90 x 1850 mm
Displacement:	1.05 gal/rev
Lubrication Fluid:	4 gal max.
Weight (pump only):	529 lbs. (240 kg)
Weight (with drive):	739 lbs. (336 kg)

* Pumps are shaft driven and require a gearbox and motor.
See Ordering Information on following page for details.

Materials of Construction

Non-wetted Parts

Casing: Aluminum Alloy
Rotor: Aluminum Alloy
Rollers: Steel

Wetted Parts

Hose:

BRAIDED – Hypalon, EPDM, Natural Rubber (regular and heavy-duty), Oil-rated Nitrile

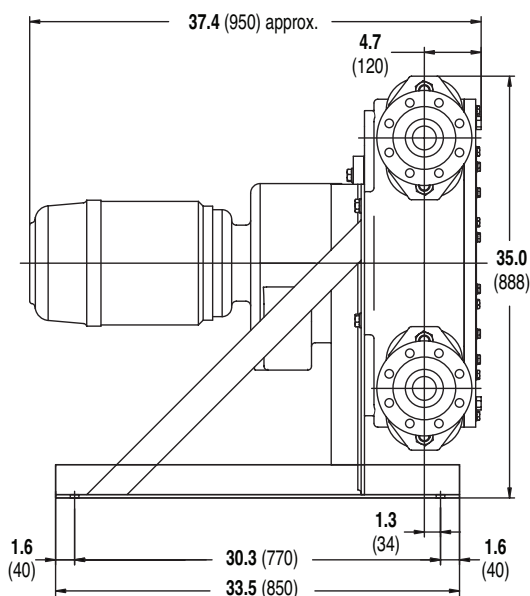
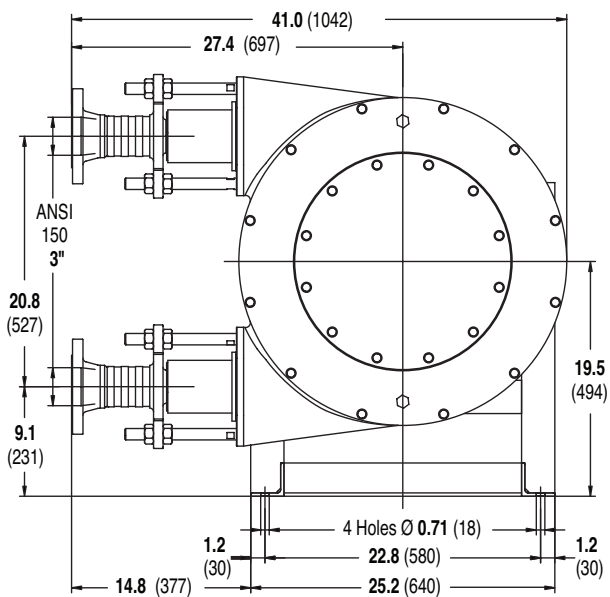
Inlet/Outlet Connections:

Stainless Steel Flange, Carbon Steel NPT, Stainless Steel NPT,
Nylon NPT, Polypropylene NPT

Dimensional Drawings

Inches (mm)

See Ordering Information for motor and gearbox sizes.



Model 2008 Ordering Information

A complete Vector pump order number uses a 10-character order code to identify the desired hose, fittings and drive. Select the appropriate items from the chart below and use the order code from each group to complete the pump assembly order number.

1	2	0	0	8	-	5	6	-	7	8	-	9	10
---	---	---	---	---	---	---	---	---	---	---	---	---	----

Order Digit	Order Code	Description
-------------	------------	-------------

1-4	Pump Designation	
2008	Model 2008 Shaft Drive Pump	

5-6	Hose Material/Type	
EF	EPDM, fiber-braided (75 psig max.)	
HF	Hypalon, fiber-braided (75 psig max.)	
MF	Natural Rubber, fiber-braided, heavy-duty (100 psig max.)	
NF	Natural Rubber, fiber-braided (75 psig max.)	
OF	Oil-rated Nitrile, fiber-braided, heavy-duty (100 psig max.)	

7-8	Connector Material/Style	
BB	316 SST, 3" ANSI flange	
EE	Carbon Steel, 3" male NPT	
NN	Nylon, 3" male NPT (200°F max.)	
PP	Polypropylene, 3" male NPT (185°F max.)	
TT	316 SST, 3" male NPT	

9-10	Drive				
	Flow GPM	Gear Ratio	Pump RPM	Max Psig	BHP
	3Ø, TEFC, 230-460 VAC, 60 Hz				
	4:1 Constant Torque Speed Range				
B2	16	83:1	21	100 ⁽¹⁾	5
D2	23	60:1	29	100 ⁽¹⁾	5
F2	28	48:1	36	100 ⁽¹⁾	5
H2	31	42:1	40	100 ⁽¹⁾	5
J2	36	37:1	47	100 ⁽¹⁾	5
L2	50	27:1	64	90 ⁽¹⁾	7.5
A	No Drive				

¹() Fluid Viscosity Pressure Range
 0-250 cps 0-75 psig
 250-100,000 cps 0-100 psig